

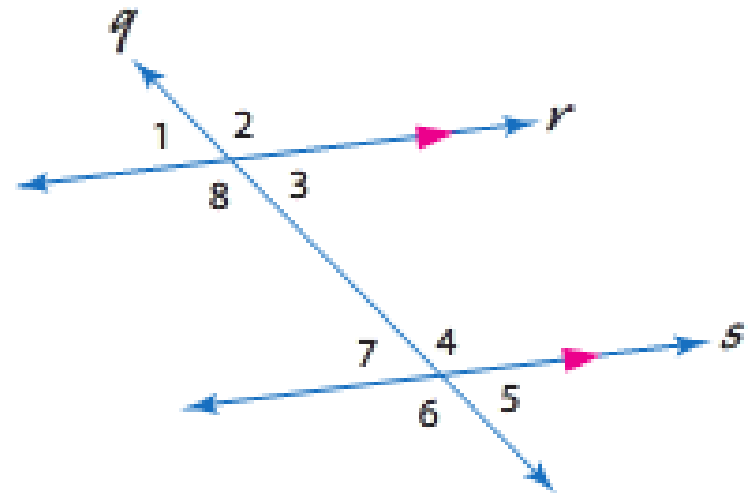
Warm-Up

Use the figure at the right to find the indicated variable. Explain your reasoning.

$$m\angle 1 = 2x \qquad m\angle 6 = 3x + 5$$

Find the value for all of the angles.

Statement	Justification



Essential Skill 1: Geometry Basics

**LT 1.2 Angles and Parallel Lines
(Algebra)**

Learning Objective

I will be able to . . .

- Use theorems to determine the relationship between specific pairs of angles.

*****Use algebra to find angle measurements.*****

LT 1.2: Algebra and Angle Measures

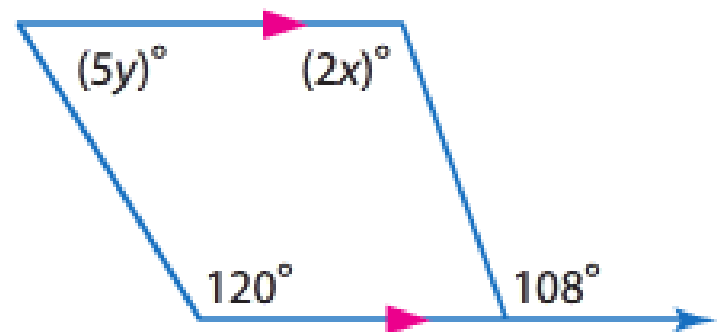
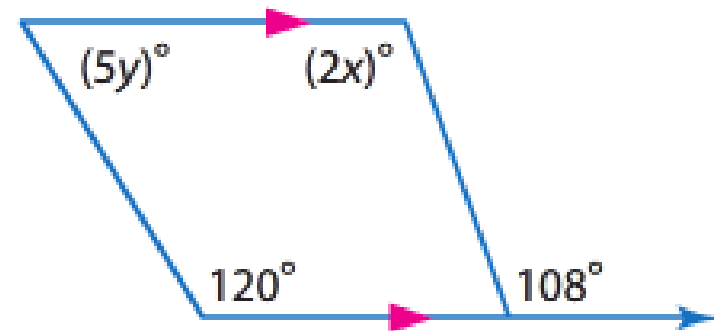
Continued: Let's take notes.

PG. 13a

Example 3e Use the figure at the right to find the indicated variable. Explain your reasoning.

Statement

Justification



Homework

www.ccasillas.weebly.org

DUE TOMORROW:

Class: Complete Skill Practice #3: Algebra

Honors: Honors Handout from yesterday.